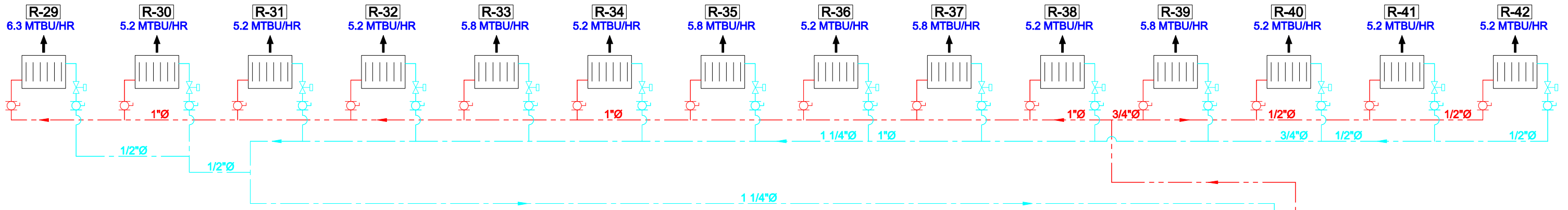
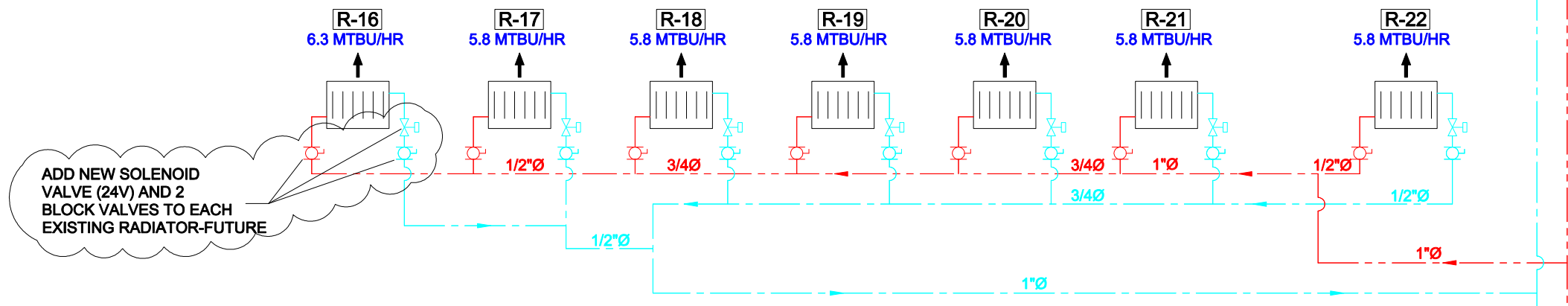


3rd Floor Radiators - East Wall



2nd Floor Radiators - East Wall



ADD NEW SOLENOID VALVE (24V) AND 2 BLOCK VALVES TO EACH EXISTING RADIATOR-FUTURE

— SUPPLY PIPE
- - - RETURN PIPE

FOR CONTINUATION
SEE DWG M-8A

ORIGINAL AS BUILT
DATE: _____

REW
R E WEDDING CONSULTANTS
CONSULTING ENGINEERS
COQUITLAM BC 1-604-505-5940
rewassociates.com

			Mount Pleasant War Memorial Cooperative Association Vancouver, BC	
			2nd & 3rd Floor (East) Rad. Schematic Planet Bingo	
REV.	DATE	DESCRIPTION		
Do not scale off this dwg., if not plotted on original paper size.				
Copyright Reserved. Use or reproduction in whole or in part is prohibited without express permission from REW Consultants				
DRAWN: DAP	CHK'D:	DATE: FEB 2010	Dwg. No.	
DES'D: REW	APP.:	JOB: 504-09	M-8B	